

Quick Start Guide

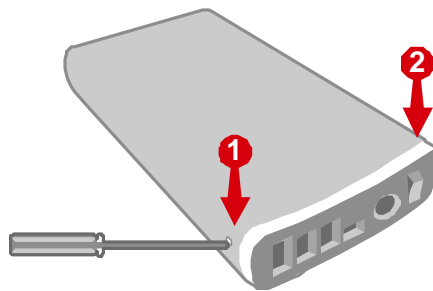
Assembling the 3.5" HDD Enclosure Kit

➔ To begin using the 3.5" HDD Enclosure Kit, simply place your 3.5", IDE Hard Disk Drive in the Enclosure Kit. For USB 2.0 and USB 2.0/FireWire HDD enclosure users, after completing the hardware installation, Windows® 98SE users must install the appropriate USB storage driver by downloading the driver from our website.

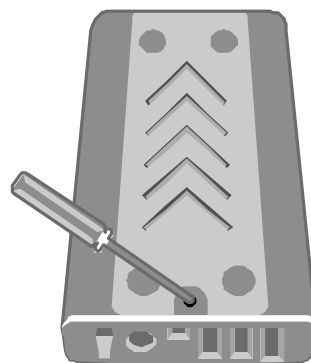
Hard Drive Installation

Install a hard disk drive in the Enclosure Kit by completing the following steps.

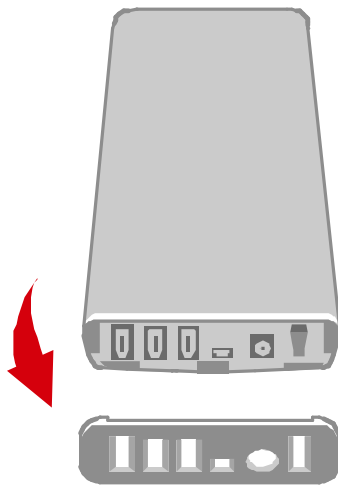
- 1) Disassemble the rear panel from the housing by removing one screw from each side of the housing with a Phillips screwdriver.



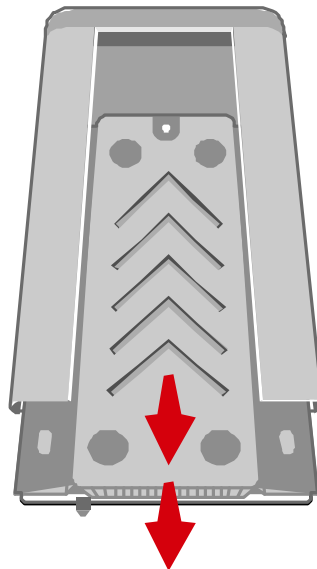
- 2) Remove the screw from the bottom of the Enclosure Kit.



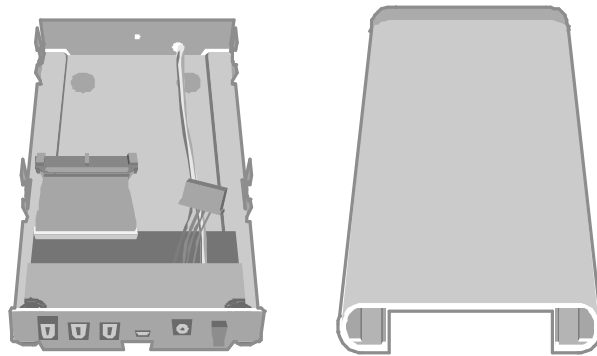
- 3) Carefully remove the rear panel from the enclosure.



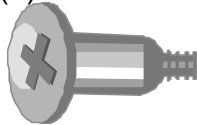
- 4) Turn the enclosure so that the bottom side is facing up and push the bottom panel out of the housing. Adequate pressure must be applied when pushing the bottom panel out of the housing.



When disassembled, the enclosure will appear as shown above.

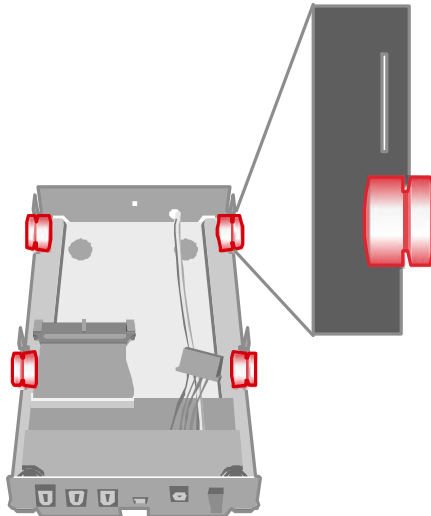


- 5) Locate the plastic bag containing (4) auto-limiting screws included in the package.

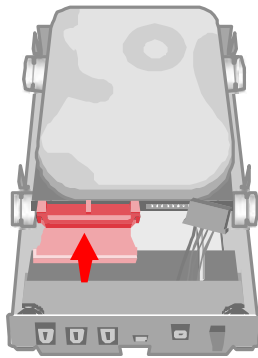


Auto-limiting Screw

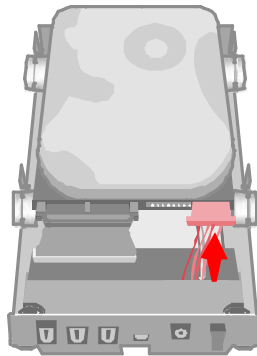
- 6) Ensure that the shock absorbers are installed in the mounting brackets with the “thin” side facing out.



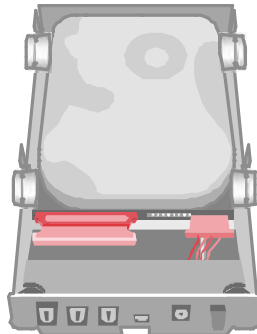
- 7) Insert the IDE cable into the hard drive.



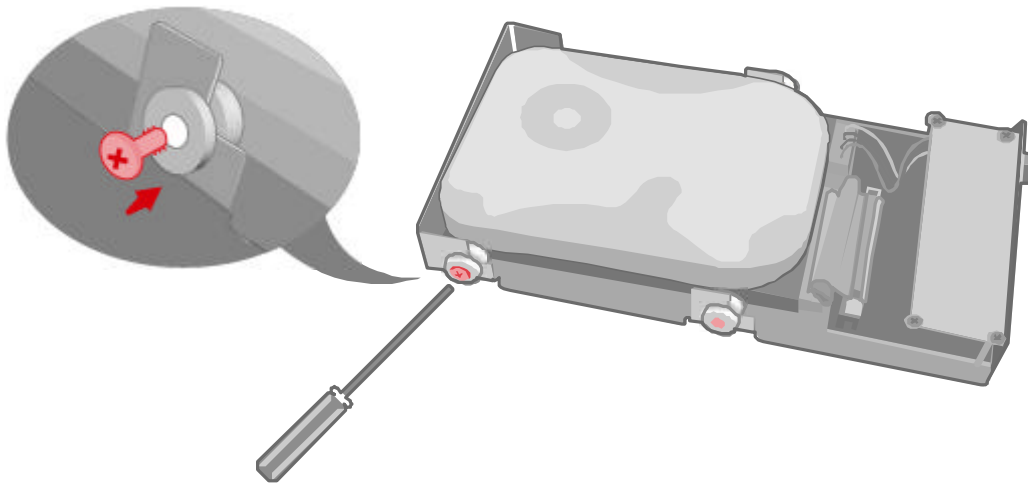
8) Insert the control board power cable into the receptacle on the hard drive.



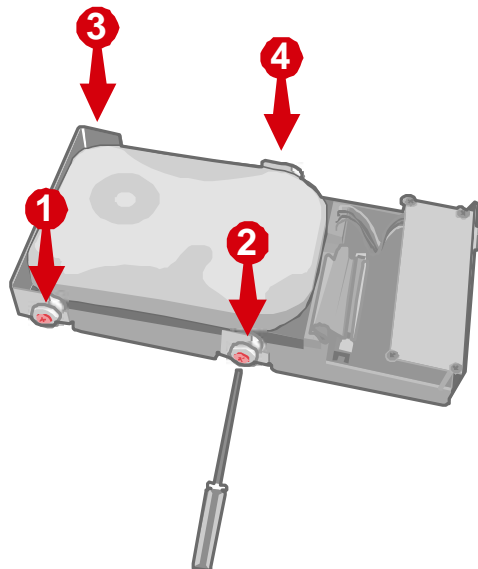
9) Place the hard drive in the housing positioning it between the shock absorbers.



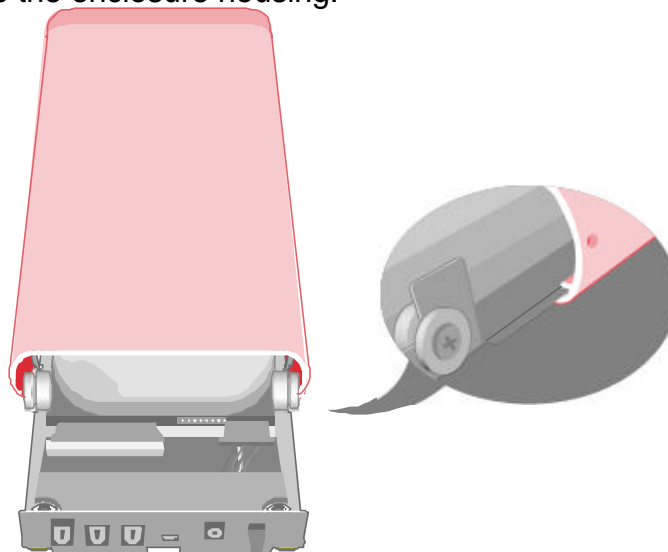
10) Align the opening on the hard drive with the opening in the shock absorber and insert the first screw. Tighten the first screw ensuring that proper alignment is maintained while tightening.



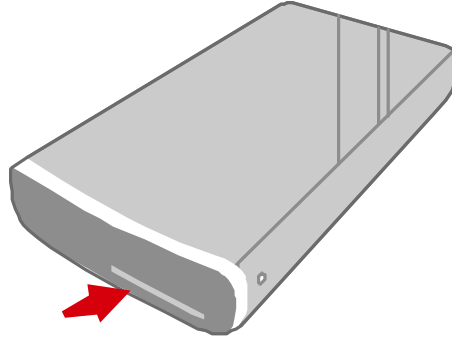
Repeat for the remaining three screws.



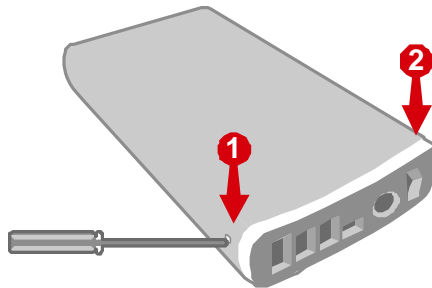
Align the edges of the hard drive platform with the integral rails and carefully slide the assembled platform into the enclosure housing.



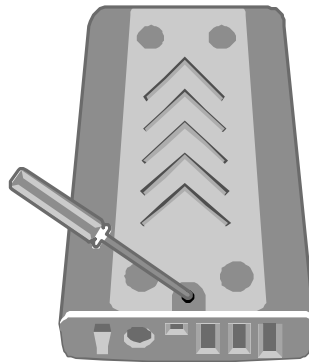
- 11) Ensure that the LED indicator is properly aligned with the opening on the front panel of the enclosure.



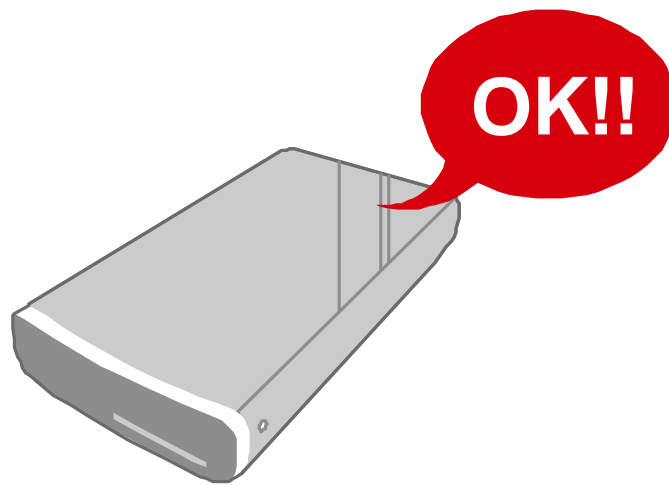
- 12) Fasten the rear panel to the enclosure housing by replacing the (2) screws removed in step 1.



- 13) Fasten the last (1) screw to reattach the bottom panel.

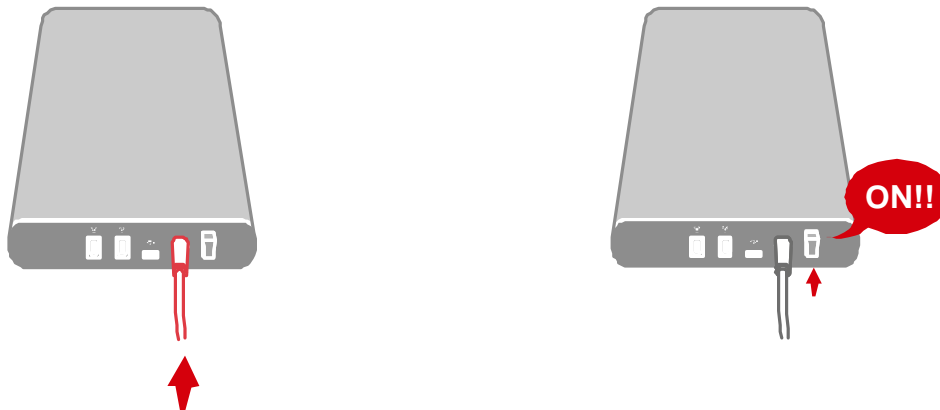


- 14) The Enclosure Kit is now assembled and ready for connection to a computer.

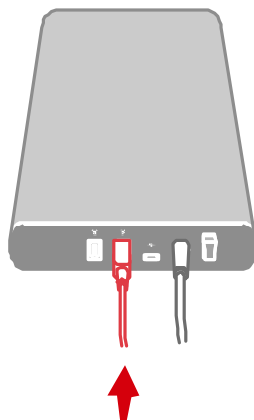


Connecting the Enclosure Kit to a Computer

- 1) Connect the AC/DC power adapter, then turn on the power switch; ensure that the green LED indicator is active. The orange LED indicator will blink during data transfer.



- 2) Insert the USB or IEEE 1394(b) connector into the corresponding port.



- 3) Insert the USB or IEEE 1394(b) connector into an available port on the computer.

